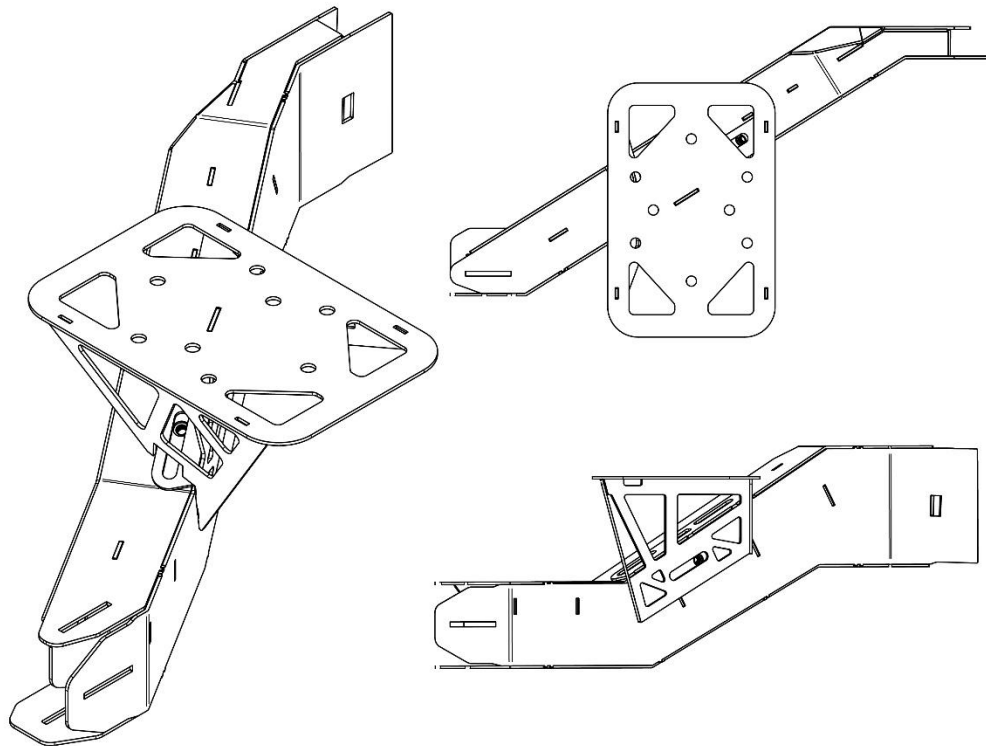


Instructional Guide

Battery Mount
63-67 C2 Corvette
68-82 C3 Corvette



Speedtech
PERFORMANCE

CHASSIS - SUSPENSION - PRO TOURING - AUTOCROSS - DRAG RACING - CUSTOM BUILDS

435.628.4300 SPEEDTECHPERFORMANCE.COM    

4160 S. RIVER RD, ST. GEORGE, UT 84790



Figure 1 C2 Corvette, features our ExtReme IRS Chassis, and Body Mount Kit

Congratulations on the purchase of your new Speedtech Performance Corvette Battery Mount. Use only approved and appropriately rated jack and jack stands, be sure to take all safety precautions required to do the job safely and correctly. If you are unsure, seek the assistance of a highly qualified workshop to assist you.

Read and understand all instructions thoroughly before you begin. For the most part, assembly and set up of your new Corvette Battery Mount can be done in a home garage with hand tools and basic equipment.

We enjoy seeing the progress our customers are making as they work through their builds so join the Team Speedtech group on Facebook and share your pictures and your story.

From everyone at Speedtech Performance we send you all best wishes for your project!

Installation Guide

TABLE OF CONTENTS

1. GENERAL INFORMATION

- 1.1 THIS GUIDE
- 1.2 OVERVIEW
- 1.3 TOOLS

2. CHECK IN PARTS AND HARDWARE

- 2.1 CHECKING IN THE ORDER
- 2.2 CHECK IN TABLES

3. GETTING STARTED/INSTALLATION

- 3.1 LEVELING AND SUPPORT
- 3.2 BODY PREPERATION
- 3.2 INSTALLATION

4. FINISHING

- 4.1 TORQUE
- 4.2 FIBERGLASS

5. CONGRATULATIONS

1.0 GENERAL INFORMATION

[Back to Table to Contents](#)

1.1 This Guide

Thank you for purchasing your new Speedtech Performance Corvette Battery Mount. These instructions outline the Corvette Battery Mount that will be installed with the Speedtech Performance ExtReme chassis only.

The vehicle should be on a level surface before you start.

NOTE: You can mount the battery box to either the driver or passenger side, therefore, all plates are fully mirrored.

NOTE: This is designed to be a removable piece, do not weld the whole structure to the chassis.

1.2 Tools

Installation of the Speedtech Performance Corvette Battery Mount can be done on the floor with simple hand tools.

Additional things to have before you start:

- Wrench
- Welder
- Grinder

2.0 CHECK IN PARTS AND HARDWARE

[Back to Table to Contents](#)

2.1 Checking in the Order

Best practice will be to check in your order as soon as possible after receiving the order. To check in the order we have provided tables, these can be used as check lists for your order.

2.2 Check in Tables

X	#	Description	Size
	1	850501-0001	
	1	850501-0002	
	1	850501-0003	
	1	850501-0004	
	1	850501-0005	

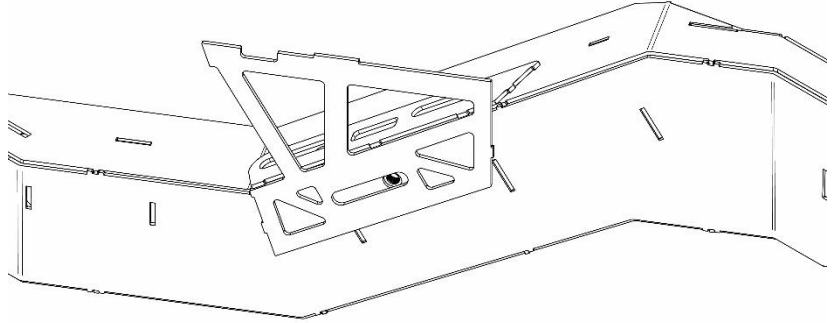
Note: There may be some extra hardware that was packaged that is not accounted for in the check list. The hardware kits are made to fit multiple products and the excess is from that process.

3.0 GETTING STARTED / INSTALLATION

[Back to Table to Contents](#)

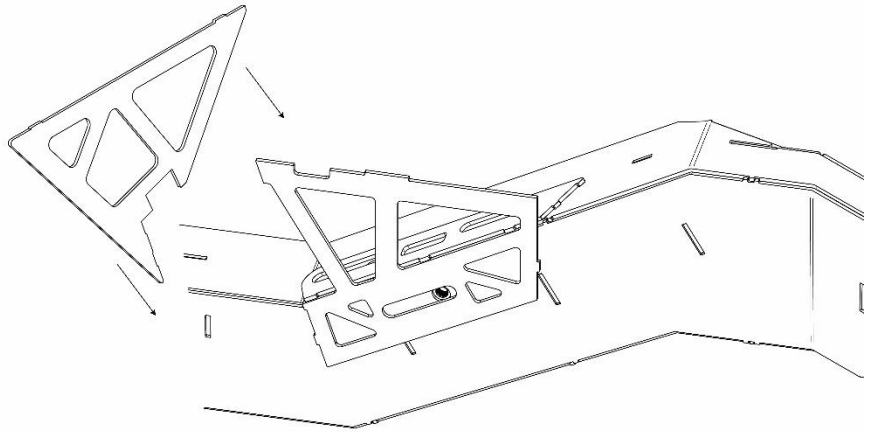
3.1 BOLTING TO CHASSIS

- Place plate -0005 on top of the frame rail, use provided bolts to secure through slotted holes
- Place plate -0004 on the side of the frame rail, use provided bolts to secure through slotted holes



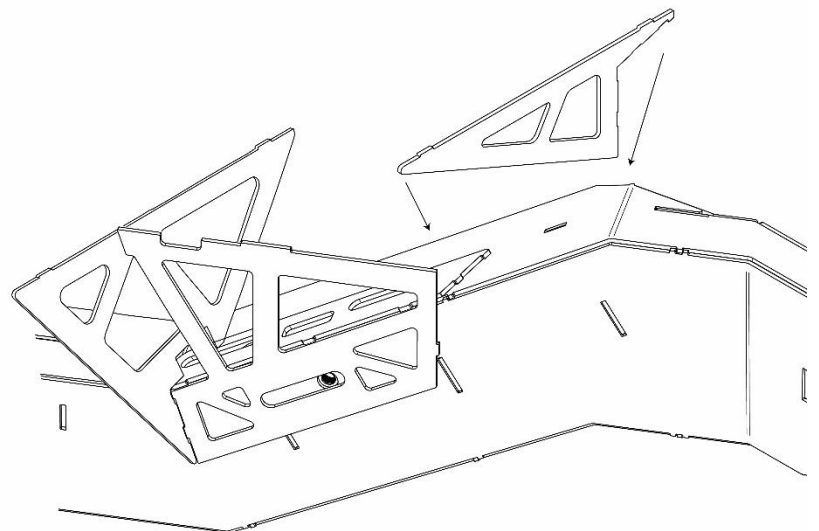
3.2 REAR PLATE

- Place plate -0003 at the rear of the fixture and tack weld into place



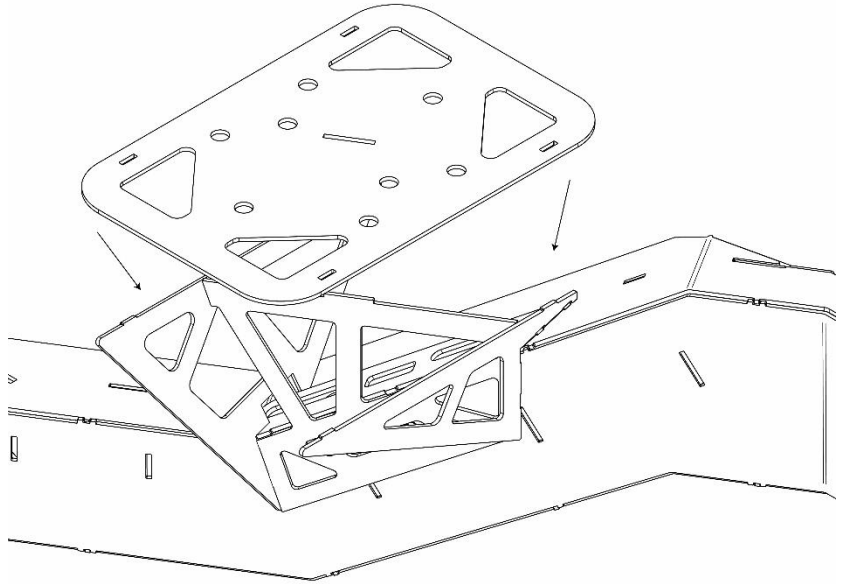
3.3 FRONT PLATE

- Place plate -0002 at the front of the fixture and tack weld into place



3.4 TOP PLATE

- Place plate -0002 on the top of the fixture and tack weld into place, ensure this is level.



4.0 FINISHING

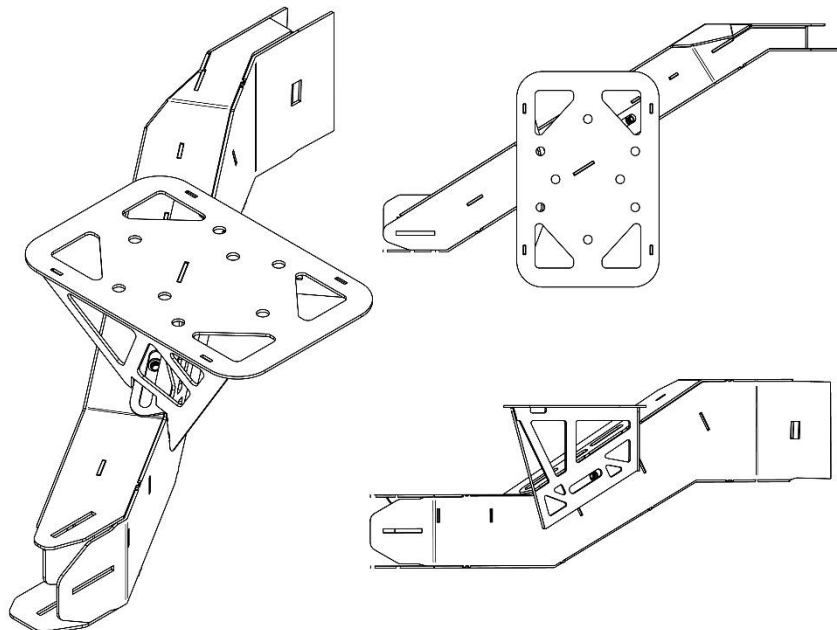
[Back to Table to Contents](#)

4.1 WELDING

Once all pieces are tack welded into place, it is time to do the final welds.

NOTE: This is designed to be a removable piece, do not weld the whole structure to the chassis.

NOTE: When finished welding, you may want to grind down any welds on the top plate to ensure the battery has complete, secure contact with the plate.



5.0 Congratulations

[Back to Table to Contents](#)

Congratulations on completing your project, we know you will get many years of enjoyment from your project. Please join the group [Team Speedtech](#) on Facebook. Team Speedtech is a community of like-minded individuals using Speedtech Performance products. The Group's members include customers, our dealers and factory employees - each with a passion for Pro Touring muscle cars. You can ask questions and get advice from the group members as well as share your experience. Within the group we enjoy seeing the videos and pictures during the progress of your projects so post up. We also encourage you to share pictures and videos of your finished projects out on the road, at the show & shine, on track or however you get enjoyment from your ride, we want to see it!

Thank you for choosing Speedtech Performance! We know you have a choice, and we appreciate that you entrust us with your chassis and suspension needs for you custom muscle cars.

Speedtech Performance, LLC
4160 S. River Rd.
St George UT, 84770
(435) 628-4300