

Instructional Guide

LS Engine Mount Adapters



Speedtech
PERFORMANCE

CHASSIS - SUSPENSION - PRO TOURING - AUTOCROSS - DRAG RACING - CUSTOM BUILDS

435.628.4300 SPEEDTECHPERFORMANCE.COM    

4160 S. RIVER RD, ST. GEORGE, UT 84790



Figure 1 1969 Camaro, features our ExtReme subframe and LS components, Roger Maniscalco

Congratulations on the purchase of your new Speedtech LS Engine Mount Adapters. Use only approved and appropriately rated jack and jack stands, be sure to take all safety precautions required to do the job safely and correctly. If you are unsure, seek the assistance of a highly qualified workshop to assist you.

Read and understand all instructions thoroughly before you begin. For the most part, assembly and set up of your new LS Engine Mount Adapters can be done in a home garage with hand tools and basic equipment.

We enjoy seeing the progress our customers are making as they work through their builds so join the Team Speedtech group on Facebook and share your pictures and your story.

From everyone at Speedtech Performance we send you all best wishes for your project!

Installation Guide

TABLE OF CONTENTS

1. GENERAL INFORMATION

- 1.1 THIS GUIDE
- 1.2 TOOLS

2. CHECK IN PARTS AND HARDWARE

- 2.1 CHECKING IN THE ORDER
- 2.2 CHECK IN TABLES

3. GETTING STARTED/INSTALLATION

- 3.1 LEVELING AND SUPPORT
- 3.2 INSTALLATION -PLATE
- 3.2 INSTALLATION -MOUNT

4. CONGRATULATIONS

1.0 GENERAL INFORMATION

[Back to Table to Contents](#)

1.1 This Guide

Thank you for purchasing your new Speedtech Performance LS Engine Mount Adapters. These instructions outline the ExtReme LS Engine Mount Adapters that will be installed with the Speedtech Performance ExtReme Chassis.

1.2 Tools

Installation of the Speedtech Performance LS Engine Mount Adapters can be done on the floor with simple hand tools.

Additional things to have before you start:

- Allen Wrench
- Socket Set
- Blue Loctite

2.0 CHECK IN PARTS AND HARDWARE

[Back to Table to Contents](#)

2.1 Checking in the Order

Best practice will be to check in your order as soon as possible after receiving the order. To check in the order we have provided tables, these can be used as check lists for your order.

2.2 Check in Tables

X	#	Description	Size
	2	Billet Adapter Plates (one left one right)	
	4	Adaptor Plater to Block Flat Head Bolt	M10x35 FHCS
	6	Adaptor Plater to Block Socket Head Cap	M10x30 SHCS
	6	Flat Washers	M10
	6	Motor Mount Bolt	3/8-24x3/4
	6	Flat Washer	3/8

Note: There may be some extra hardware that was packaged that is not accounted for in the check list. The hardware kits are made to fit multiple products and the excess is from that process.

3.0 GETTING STARTED / INSTALLATION

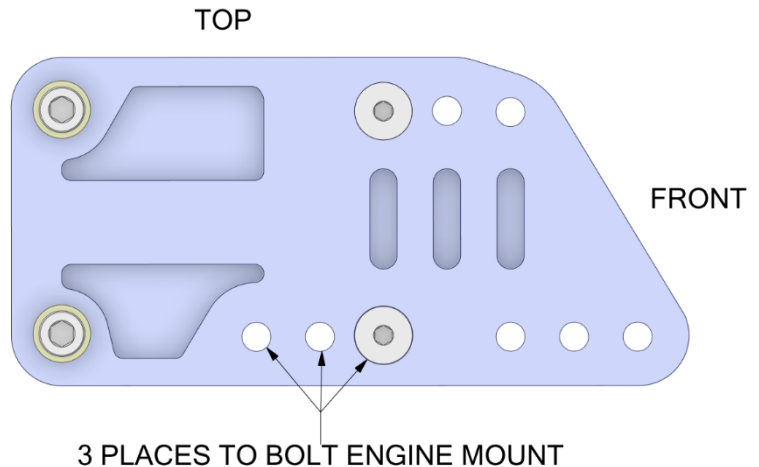
[Back to Table of Contents](#)

3.1 LEVELING AND SUPPORT

Properly support the vehicle. This can be assembled on a work bench as well. Take all necessary precautions whenever jacking up your vehicle and use safe and sturdy jack stands to support the vehicle whenever it is off the ground. Be sure to take all other safety precautions required to do the job correctly.

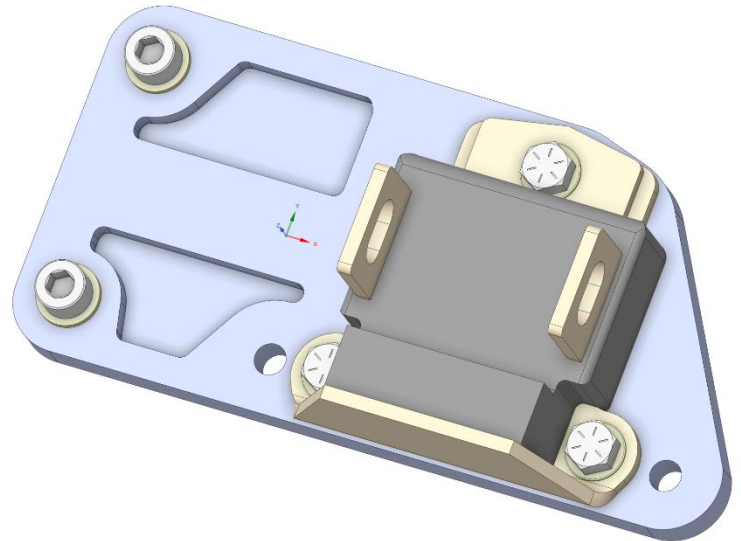
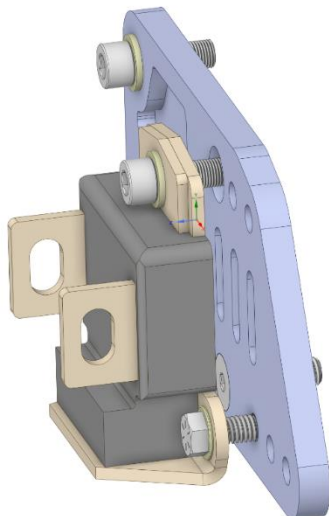
3.2 INSTALLATION - PLATE

- Locate the two Adapter Plates. They are labeled Driver and Passenger.
- Bolt the Adapter Plates onto the engine block. Use (2) SHCS with washers and (2) FHCS. Refer to the diagram for plate orientation on the block.
- On final assembly, use blue Loctite and torque to 37 ft.lb.



3.2 INSTALLATION - MOUNT

- Determine where the Motor Mounts need to be attached to the adapter plate for your application. There are 3 locations.
- Bolt the Motor Mount to the Adapter Plate using the 3/8 bolts and washers.



Note: If a Motor Mount bolt location lands on a flat head block bolt, replace the M10 flathead and 3/8 bolt with the provided extra M10 SHCS and washer. Bolt through the motor mount and adapter plate into the block.

4.0 CONGRATULATIONS

[Back to Table to Contents](#)

Congratulations on completing your project, we know you will get many years of enjoyment from your project. Please join the group [Team Speedtech](#) on Facebook. Team Speedtech is a community of like-minded individuals using Speedtech Performance products. The Group's members include customers, our dealers and factory employees - each with a passion for Pro Touring muscle cars. You can ask questions and get advice from the group members as well as share your experience. Within the group we enjoy seeing the videos and pictures during the progress of your projects so post up. We also encourage you to share pictures and videos of your finished projects out on the road, at the show & shine, on track or however you get enjoyment from your ride, we want to see it!

Thank you for choosing Speedtech Performance! We know you have a choice, and we appreciate that you entrust us with your chassis and suspension needs for you custom muscle cars.

Speedtech Performance, LLC
4160 S. River Rd.
St George UT, 84770
(435) 628-4300