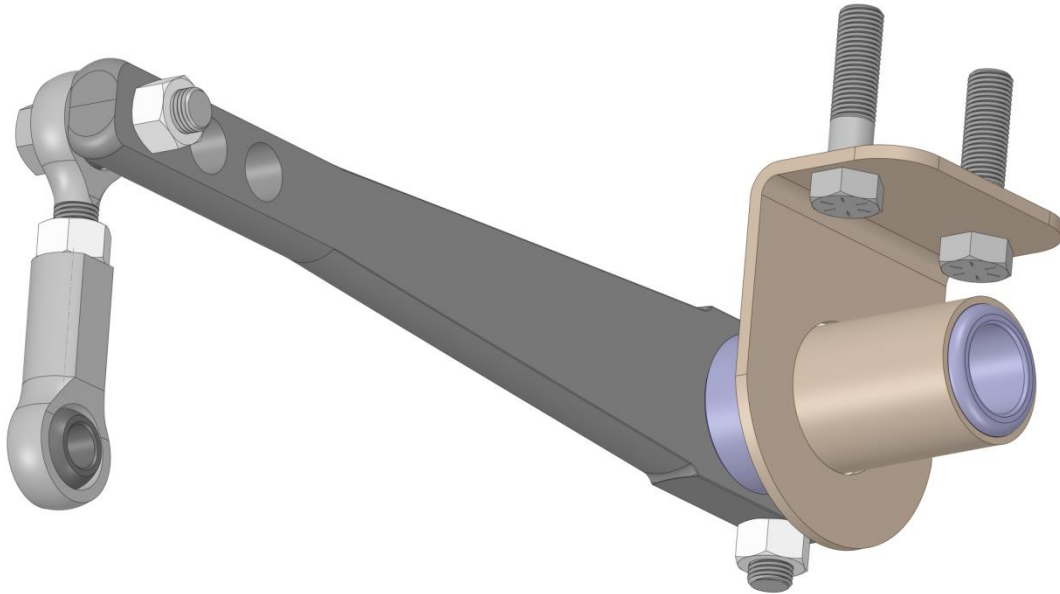




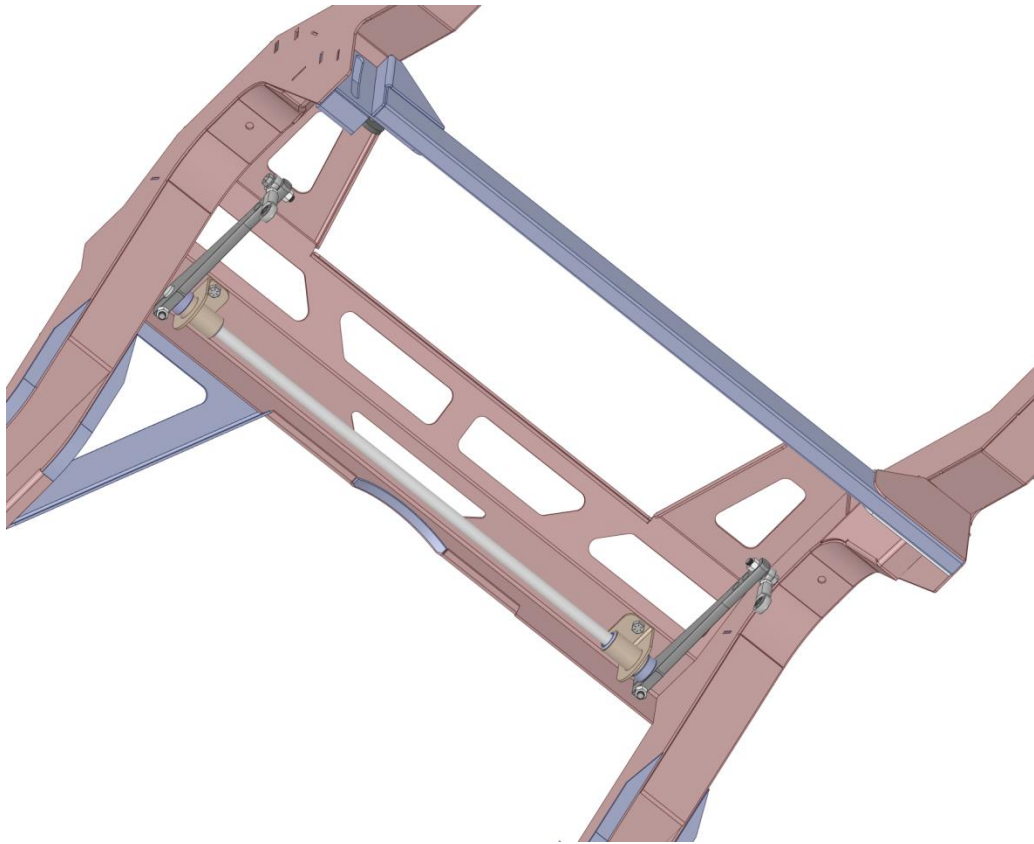
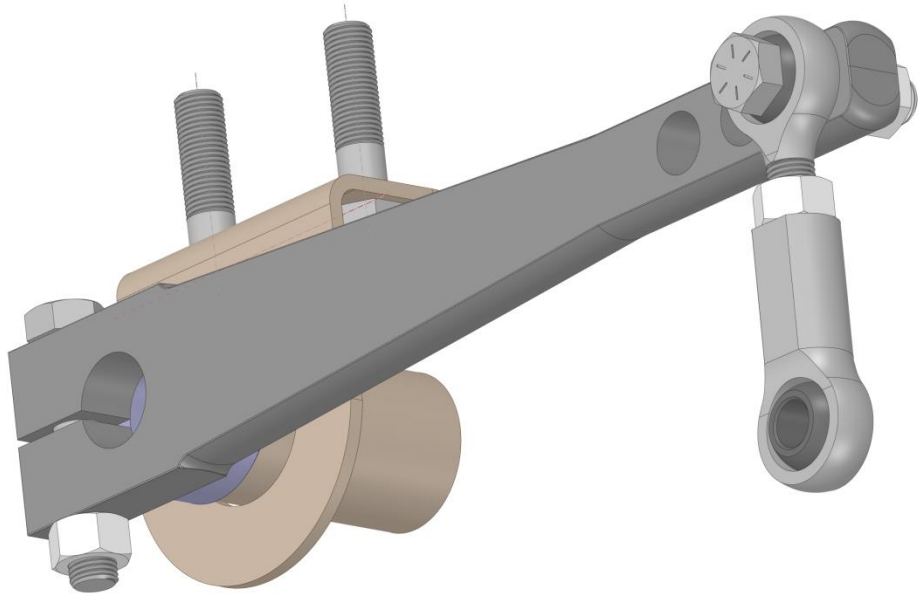
OPTIONAL REAR SWAY BAR
Order separately
Part # 31520

Installation of the rear sway bar can be performed at any time and can be an essential tuning tool for increased track performance.

Side link assembly shown



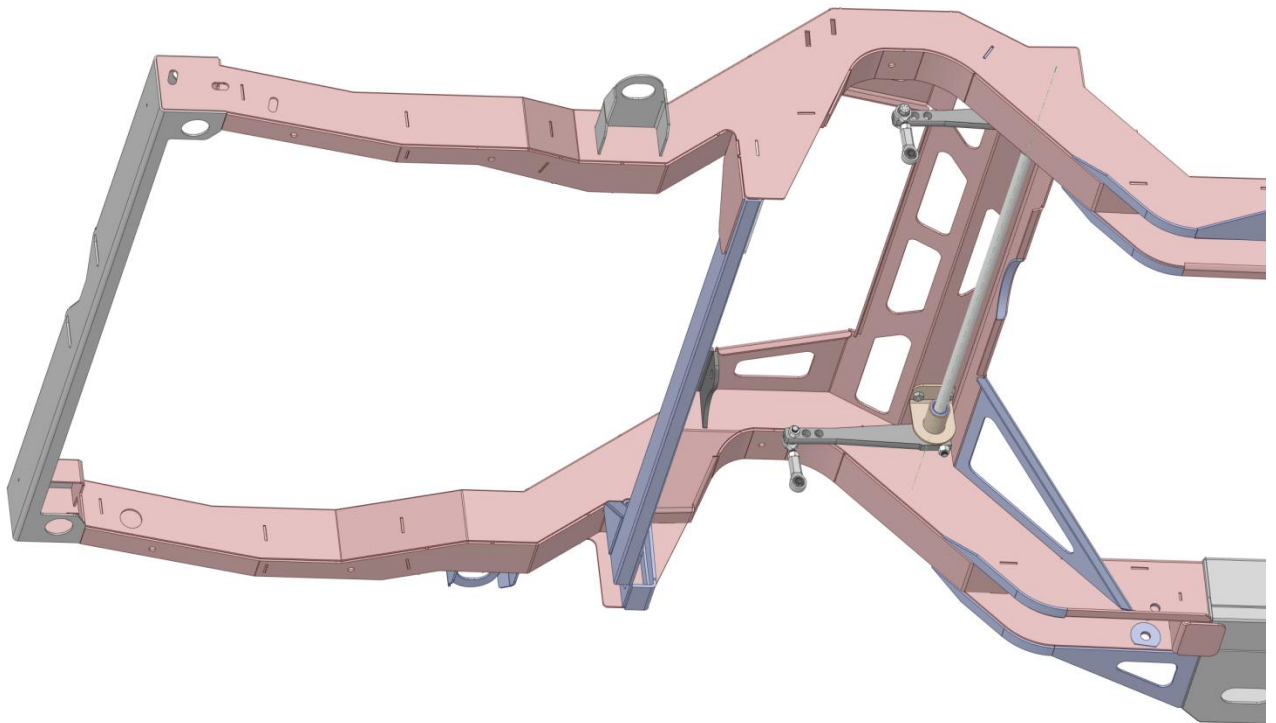
Shown above is the Driver side



The bar is installed between the 2 separate mounting brackets / bushings you will need to loosely assemble the parts and lift up into position and then bolt the brackets to the chassis.

This shows the part installed.

The end links will attach to the tabs on the front side of the rear end (these will already have been welded on when you ordered the chassis even if you did not order the rear sway bar).



Speedtech Performance
4160 S River Rd
St George UT
84790
435-628-4300
www.speedtechperformance.com