

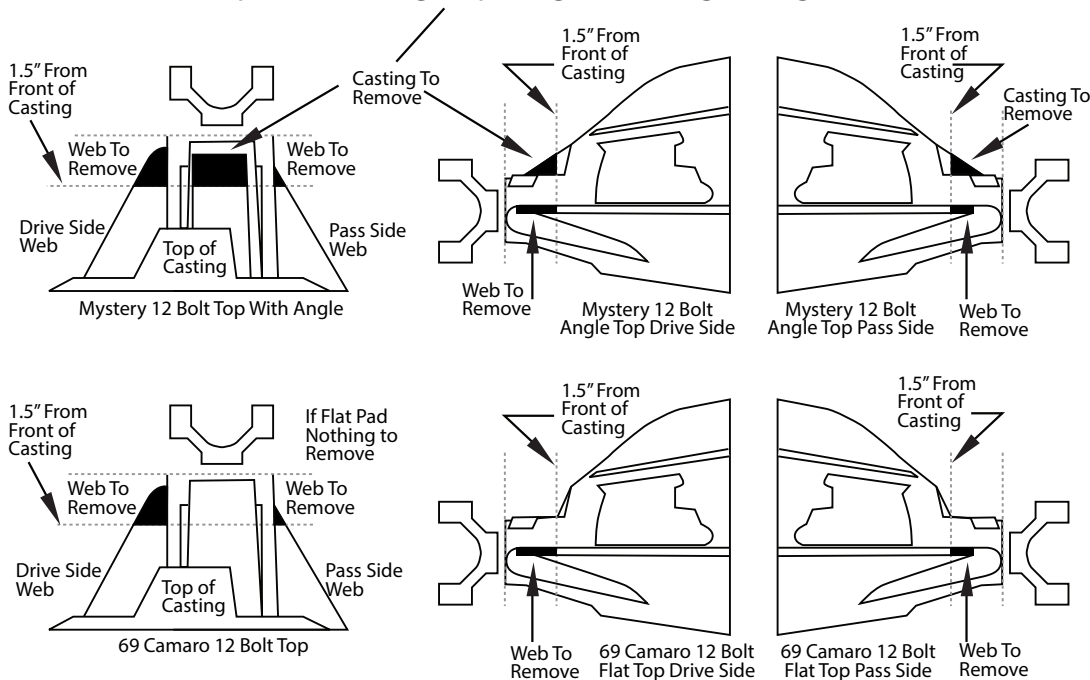
Speedtech PERFORMANCE

'70-81 Camaro Rear Diff Bracket Welding Guide, 9" Ford, 12 bolt

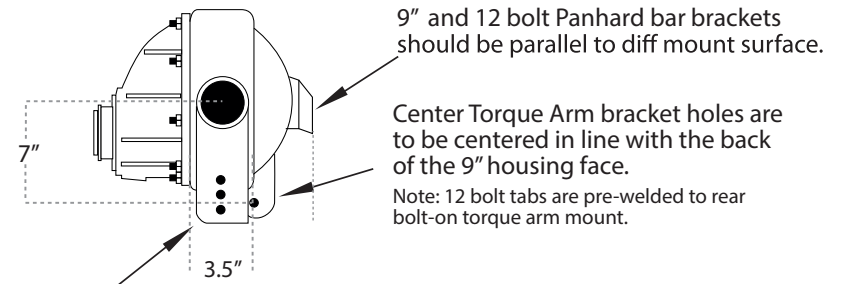
12/9/2019

Please study these diagrams before attempting to weld. Remember, measure twice, weld once. This procedure is best done by a professional that has the ability to check and straighten the axle housing should it warp during the welding process.

** Be cautious to note where factory pinion bearing oil passage is when grinding!

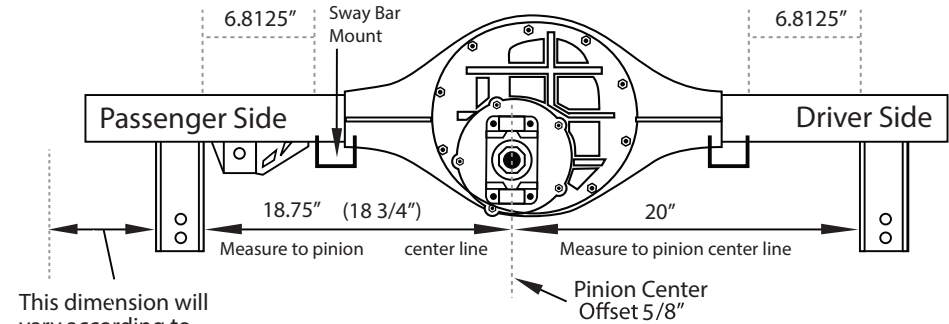


'70-81 Camaro Diff Bracket Welding Guide, 9" Ford

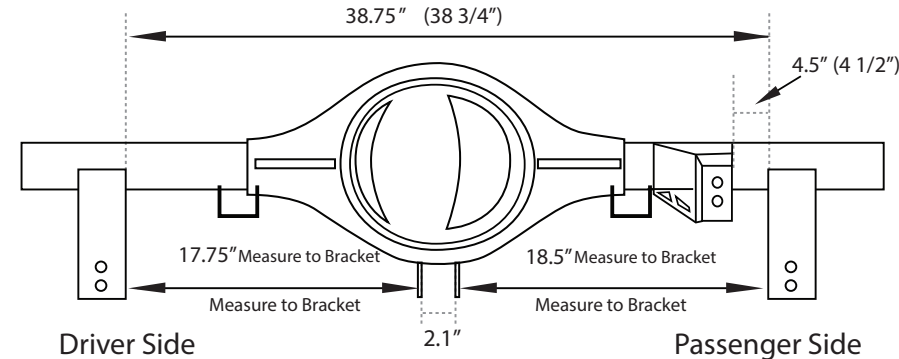


9" and 12 bolt trailing arm brackets should be parallel to diff mount surface.

Weld on bracket measurements are the same for 12 bolt and 9"



Ford 9" Housing Rear View



Weld placement for 9 inch Torque Arm tabs
2.1" Allows .040 Crush and Room for Powder coat
12 bolt tabs are pre-welded to rear torque arm mount which bolts on.