

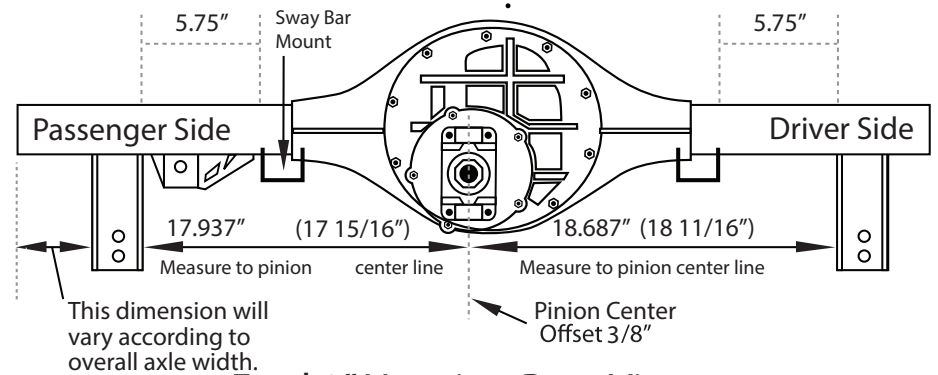
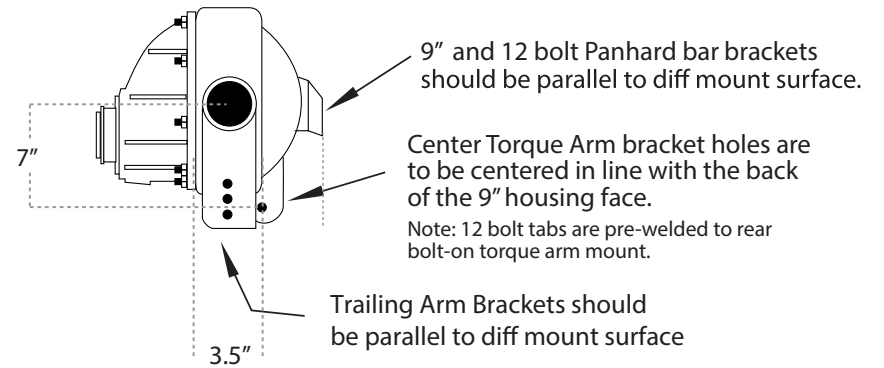
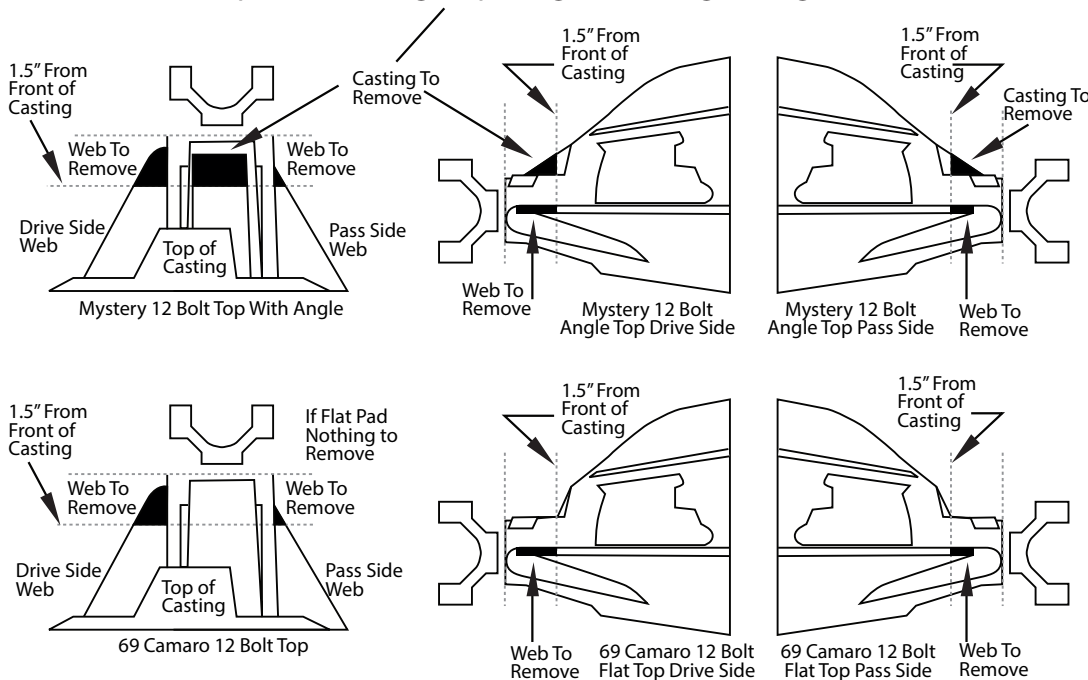
Speedtech PERFORMANCE

'67-69 Camaro Rear Diff Bracket Welding Guide, 9" Ford, 12 bolt

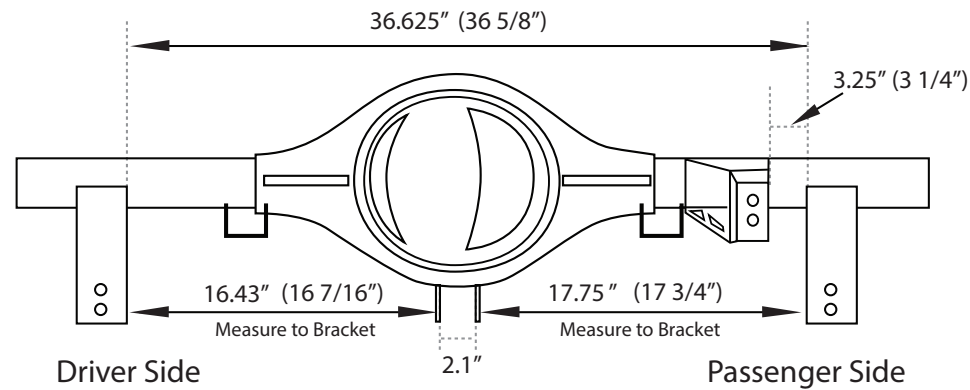
12/9/2019

Please study these diagrams before attempting to weld. Remember, measure twice, weld once. This procedure is best done by a professional that has the ability to check and straighten the axle housing should it warp during the welding process.

** Be cautious to note where factory pinion bearing oil passage is when grinding!



Ford 9" Housing Rear View



Weld placement for 9 inch Torque Arm tabs
2.1" Allows .040 Crush and Room for Powder coat
12 bolt tabs are pre-welded to rear torque arm mount which bolts on.

Bracket List: Trailing Arm 912704, Panhard Bar 912703-01, Center Tabs 912705