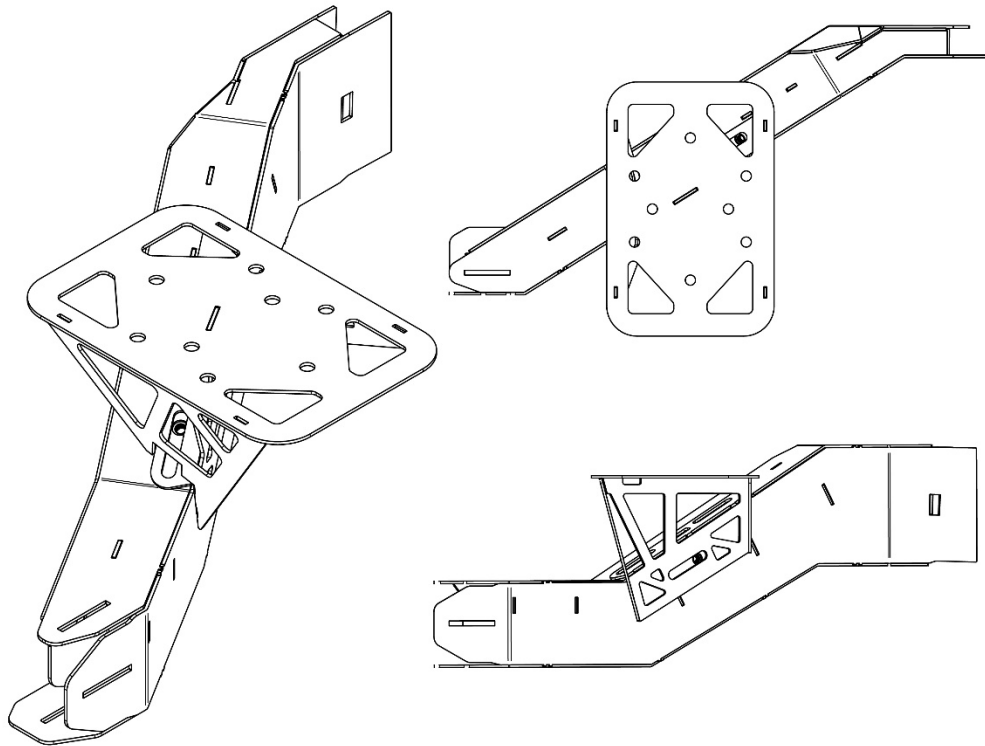


# Instruction Guide

Battery Mount  
68-79 C3 Corvette



***Speedtech***  
**PERFORMANCE**

CHASSIS - SUSPENSION - PRO TOURING - AUTOCROSS - DRAG RACING - CUSTOM BUILDS

435.628.4300 [SPEEDTECHPERFORMANCE.COM](http://SPEEDTECHPERFORMANCE.COM)    

4160 S. RIVER RD, ST. GEORGE, UT 84790



*Figure 1: C2 Corvette features our ExtReme IRS chassis and body mount kit*

Congratulations on the purchase of your new Speedtech Performance battery mount. Use only approved and appropriately rated jack and jack stands, and be sure to take all safety precautions required to complete the job safely and correctly. If you have uncertainties, seek the assistance of a highly qualified workshop to assist you.

Read and understand all instructions thoroughly before you begin. Your main assembly and set up of your new battery mount can be done in a home garage with a welder and hand tools.

Speedtech enjoys seeing the progress our customers are making as they work through their builds. Join the group, [Team Speedtech](#), on Facebook and share your pictures and your story.

Speedtech Performance sends you best wishes for your project!

# TABLE OF CONTENTS

<b>1.0</b>	<b>GENERAL INFORMATION.....</b>	<b>4</b>
1.1	THIS GUIDE.....	4
1.2	TOOLS.....	4
<b>2.0</b>	<b>CHECK IN PARTS AND HARDWARE.....</b>	<b>4</b>
2.1	CHECKING IN THE ORDER.....	4
2.2	CHECK IN TABLES.....	4
<b>3.0</b>	<b>GETTING STARTED / INSTALLATION.....</b>	<b>5</b>
3.1	LEVELING AND SUPPORT.....	5
3.2	BOLTING TO CHASSIS.....	5
3.3	REAR PLATE.....	5
3.4	FRONT PLATE.....	6
3.5	TOP PLATE.....	6
<b>4.0</b>	<b>FINISHING.....</b>	<b>7</b>
4.1	WELDING.....	7
<b>5.0</b>	<b>CONGRATULATIONS.....</b>	<b>8</b>

## 1.0 GENERAL INFORMATION

[Back to Table of Contents](#)

### 1.1 THIS GUIDE

Thank you for purchasing your new Speedtech Performance Corvette battery mount. These instructions outline the Corvette battery mount that will be installed with the Speedtech Performance ExtReme chassis only.

**NOTE:** You can mount the battery box to either the driver or passenger side, therefore, all plates are fully mirrored.

**WARNING:** This is designed to be a removable piece, do not weld the whole structure to the chassis.

### 1.2 TOOLS

Installation of the Speedtech Performance Corvette battery mount can be done on the floor with simple hand tools.

Additional things to have before you start:

- Wrench
- Welder
- Grinder

## 2.0 CHECK IN PARTS AND HARDWARE

[Back to Table of Contents](#)

### 2.1 CHECKING IN THE ORDER

Check in your order as soon as possible. To check in the order, Speedtech has provided a table which can be used as a check list, as displayed in figure 2. All bolts and nuts are NF unless otherwise noted. Hardware comes in several boxes. If you discover anything missing from your order, call your authorized dealer as soon as possible.

### 2.2 CHECK IN TABLES

X	#	Description	Size
	1	850501-0001	
	1	850501-0002	
	1	850501-0003	
	1	850501-0004	
	1	850501-0005	

Figure 2: Check in table with amounts and descriptions

**NOTE:** There may be some extra hardware that was packaged that is not accounted for in the check list. The hardware kits are made to fit multiple products and the excess is from that process.

## 3.0 GETTING STARTED / INSTALLATION

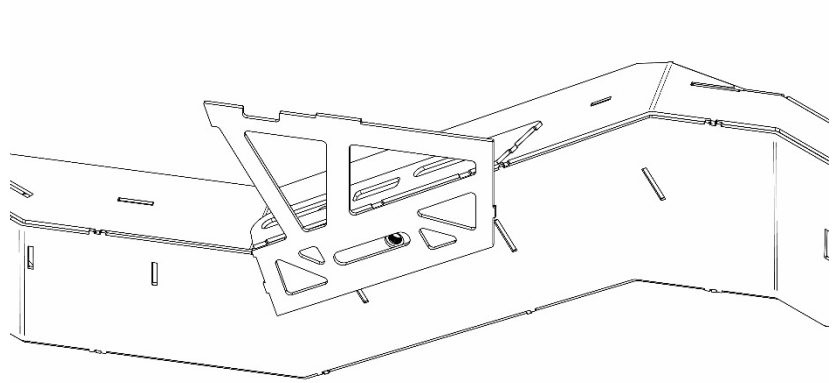
[Back to Table of Contents](#)

### 3.1 LEVELING AND SUPPORT

**WARNING:** The vehicle should be on a level surface before you start.

### 3.2 BOLTING TO CHASSIS

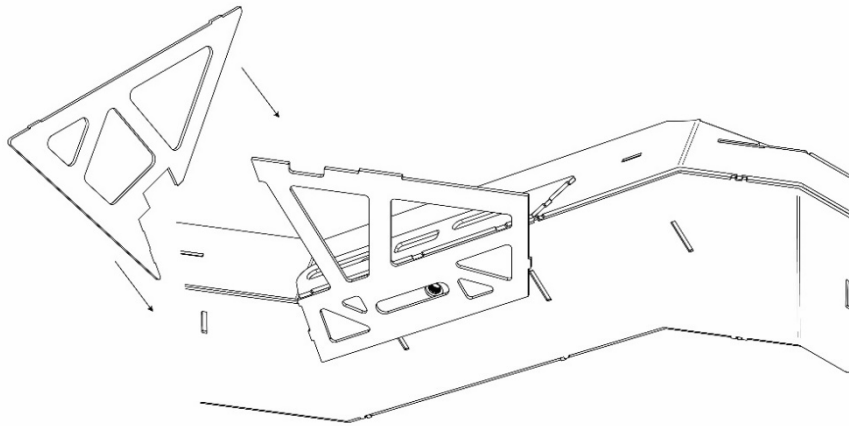
- Place plate -0005 on top of the frame rail. Use the provided bolts to secure through slotted holes.
- Place plate -0004 on the side of the frame rail. Use the provided bolts to secure through slotted holes.



*Figure 3: Bolting to chassis*

### 3.3 REAR PLATE

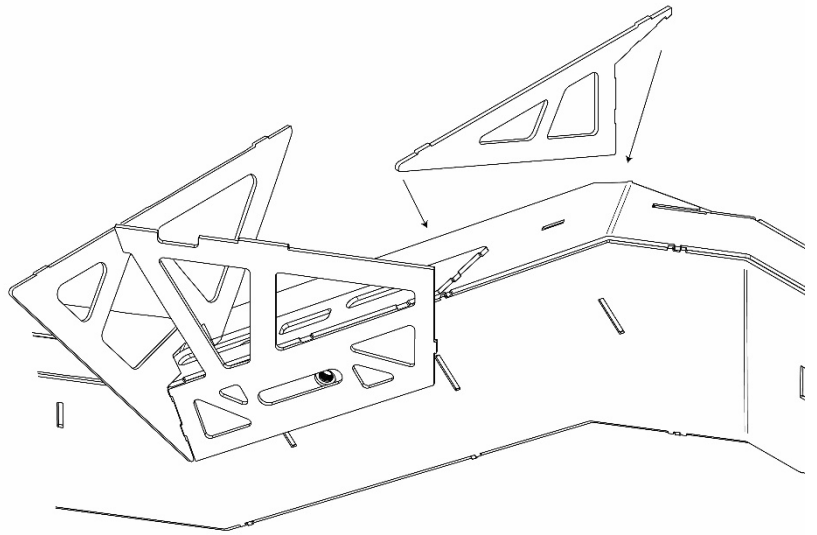
- Place plate -0003 at the rear of the fixture.



*Figure 4: Rear plate*

### 3.4 FRONT PLATE

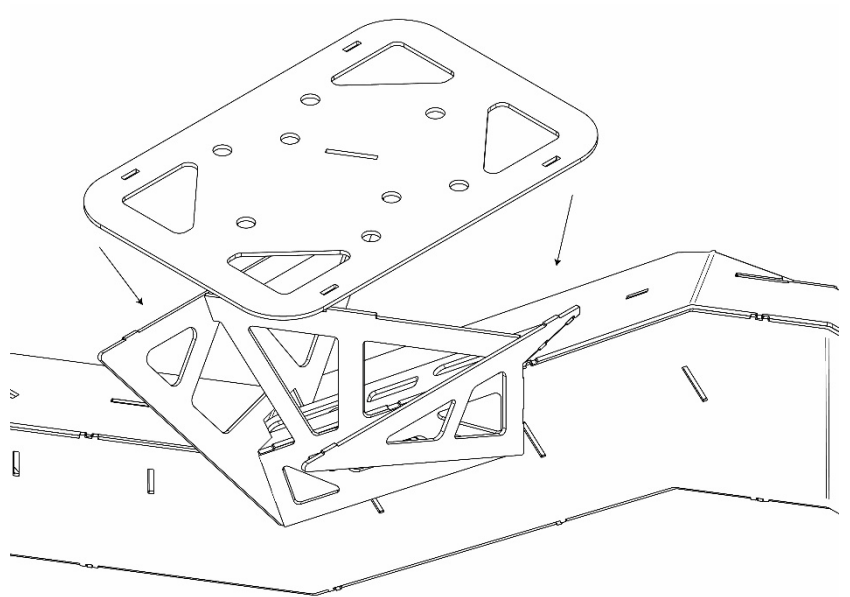
- Place plate -0002 at the front of the fixture.



*Figure 5: Front plate*

### 3.5 TOP PLATE

- Place plate -0002 on the top of the fixture and tack weld all joints into place. Ensure this is level.



*Figure 6: Top plate*

## 4.0 FINISHING

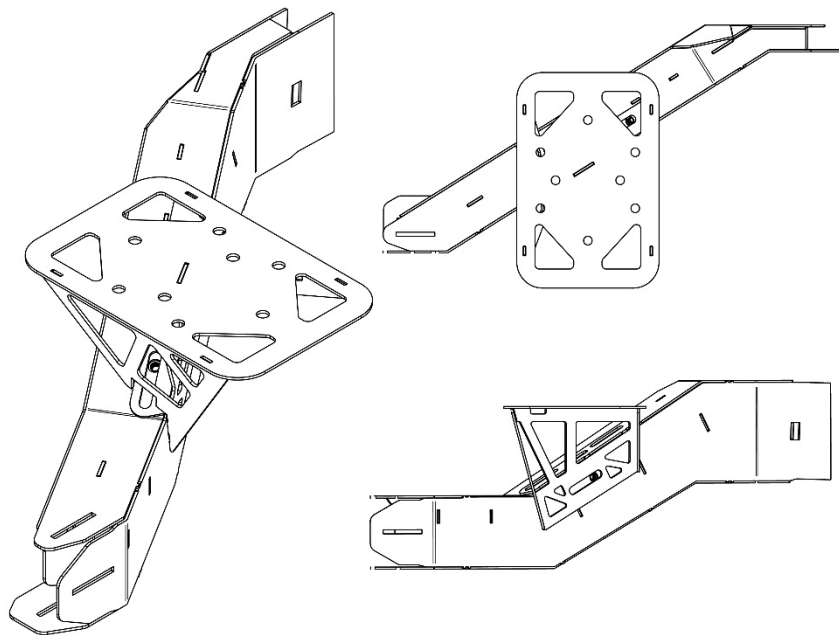
[Back to Table of Contents](#)

### 4.1 WELDING

Once all pieces are tack welded into place, it is time to do the final welds.

Remember, this is designed to be a removable piece, do not weld the whole structure to the chassis.

When finished with all the welding, you may want to grind down any welds on the top plate to ensure the battery has complete, secure contact with the plate.



*Figure 7: Welding*

## 5.0 CONGRATULATIONS

[Back to Table of Contents](#)

Congratulations on completing your project! We know you will get many years of enjoyment from your project. Please join the group, [Team Speedtech](#), on Facebook. Team Speedtech is a community of customers, dealers, and factory employers that have a passion for pro touring muscle cars and are using Speedtech Performance products. You can ask questions and get advice from the group members and share your experience. Everyone enjoys seeing the videos and pictures during the progress of your project and Speedtech encourages you to share them!

Thank you for choosing Speedtech Performance and entrusting us with your battery mounts for your custom muscle car.

Speedtech Performance, LLC  
4160 S. River Rd.  
St George UT, 84770  
(435) 628-4300